

MULTISPAN GREENHOUSES HM MODEL

TECHNICAL SPECIFICATIONS

Conformity:

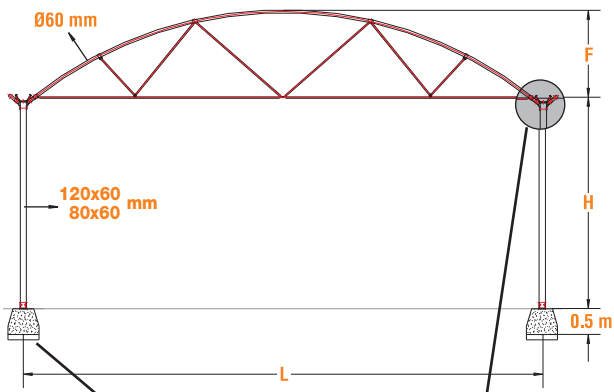
- European norm EN 13031-1 dated 01-11-2004
"Greenhouses: Design and construction"

Materials:

- first quality galvanized welded pipe
- steel quality E260 (EN 10305)
- **galvanization process:** Sendzimir Z 275
high resistance against corrosion

MEASUREMENTS

Model	L (m)	H (m)	F (m)
HM 8	8		1,30
HM 9	9	3,50÷4,00	1,47
HM 10	10		1,64

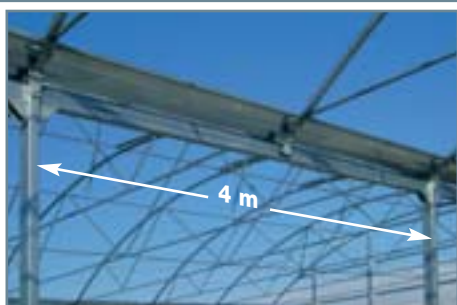
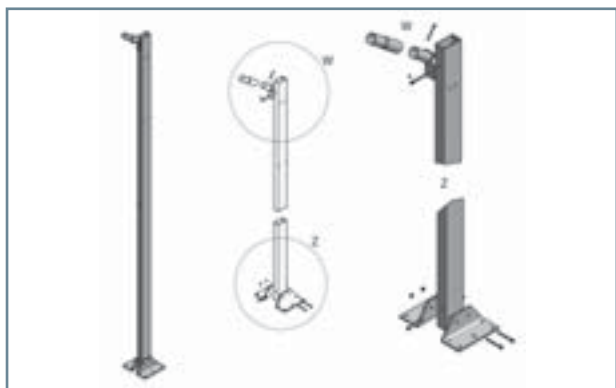


anchorage



arc-column
connection





AGRIMEC s.n.c.
di Spelgatti & C.
24060 CASAZZA (BG)
Via F.lli Calvi, 1 - ITALY
Tel. ++39.035.810747
Fax ++39.035.812679

<http://www.agrimec.it> - e-mail: info@agrimec.it

Agrimec is free, without any notice,
to introduce any technical modification.

Local agent or dealer