



24060 CASAZZA (BG)
Via F.lli Calvi, 1 - ITALY
Tel. ++39.035.810747
Fax ++39.035.812679
<http://www.agrimec.it>
e-mail: info@agrimec.it

TUNNELS FOR GROWINGS

TN model



TS model



TUNNELS

TN MODEL

TECHNICAL SPECIFICATIONS

Conformity:

- European norm EN 13031-1 dated 01-11-2004 Greenhouses: Design and construction"

Materials:

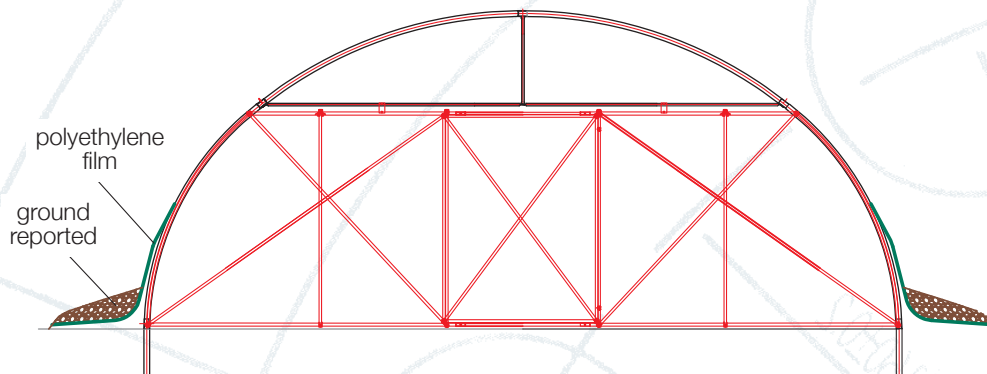
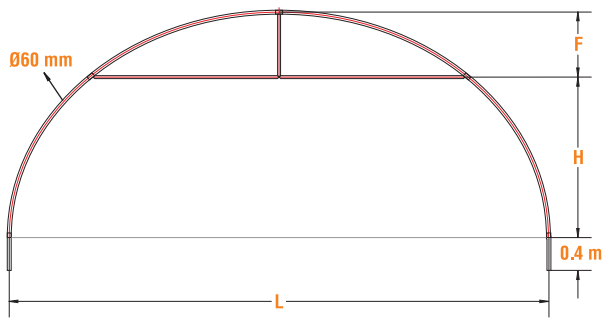
- **first quality** galvanized welded pipe steel quality E260 (EN 10305)
- **galvanization process:** Sendzimir Z 275 high resistance against corrosion

Prevailing use:

- Flower, vegetable and mushroom growing target: flexibility and rapidity - useful life 5 years

MEASUREMENTS

Model	L (m)	H (m)	F (m)
TN 6	6	2,35	0,60
TN 7	7		0,80
TN 8	8		0,95
TN 9	9		1,13



Structure made of Polycentric arc, consisting of 4 elements, reinforced by rod pipes. This model can be equipped with facades and windows. Anchorage to ground even without the use of concrete, burying the plastic film covering along the lateral sides.

OPTIONALS FOR TN MODEL

WINDOWS

Importance of ventilation:

Greenhouse ventilation is useful not only to reduce the inside temperature, but also to decrease the air damp and keep constant the CO₂ concentration.



FRONTS

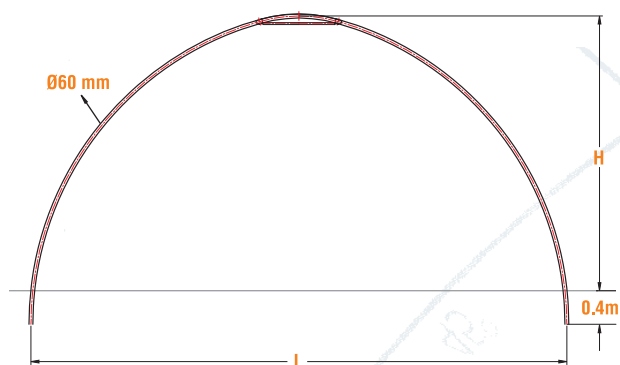
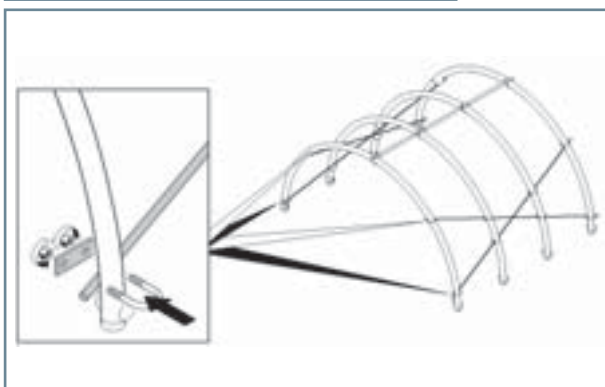
The front frame is very important for the following reasons:

- it must be enough strong so to transfer to the main structure all the actions coming from outside, especially those one due to strong wind;
- it must be covered by long life materials since it's so easy to damage them beating with tools or tractors;
- it's the site where doors and entrances to the greenhouse are usually allocated; these doors can be made of various types.



- 1 roll-up window
- 2 tensioner kit
- 3 front side equipped with sliding doors, fiberglass cladding
- 4 overturnable front side
- 5 front side equipped with sliding doors, ONDEX cladding





Tunnel made with semi-circular arch. This version can't be equipped with facades and windows. The plastic film covering must be necessary buried along the lateral sides.

TUNNELS SIMPLIFIED PRODUCT TS MODEL

TECHNICAL SPECIFICATIONS

Conformity:

- European norm EN 13031-1 dated 01-11-2004
"Greenhouses: Design and construction"

Materials:

- first quality galvanized welded pipe steel quality E260 (EN 10305)
- **Galvanization process:** Sendzimir Z 275
High resistance against corrosion

Prevailing use:

- vegetable
target: economy - useful life 5 years

MEASUREMENTS

Model	L (m)	H (m)
TS 6	6	3,00
TS 8	7,8	3,90



AGRIMEC s.n.c.
di Spelgatti & C.
24060 CASAZZA (BG)
Via F.lli Calvi, 1 - ITALY
Tel. ++39.035.810747
Fax ++39.035.812679

<http://www.agrimec.it> - e-mail: info@agrimec.it

Agripec is free, without any notice,
to introduce any technical modification.

Local agent or dealer